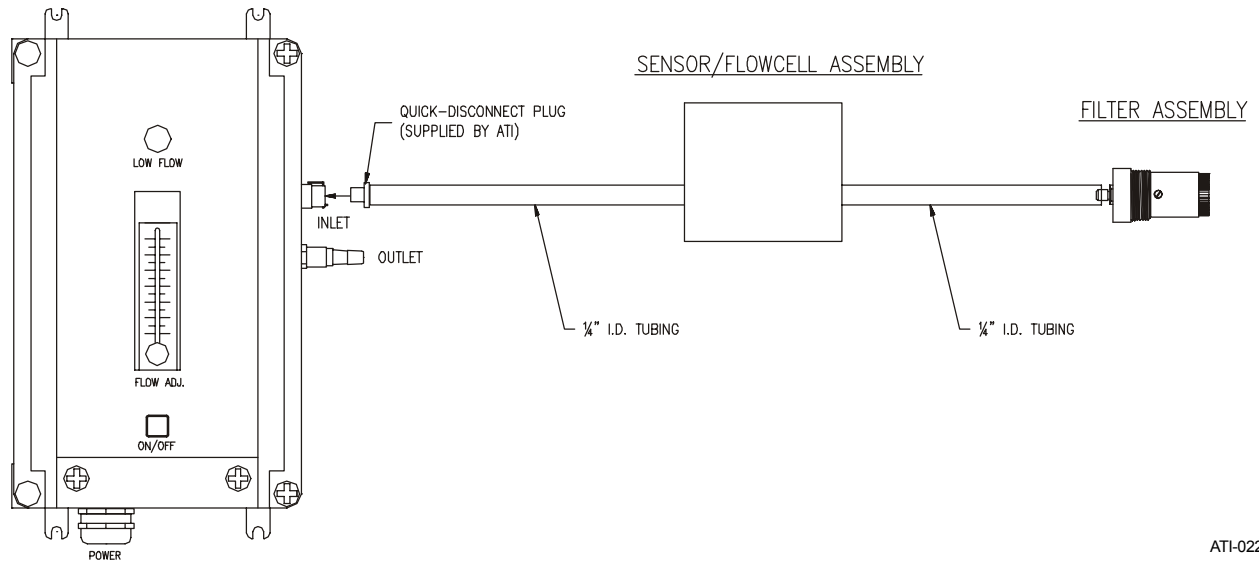
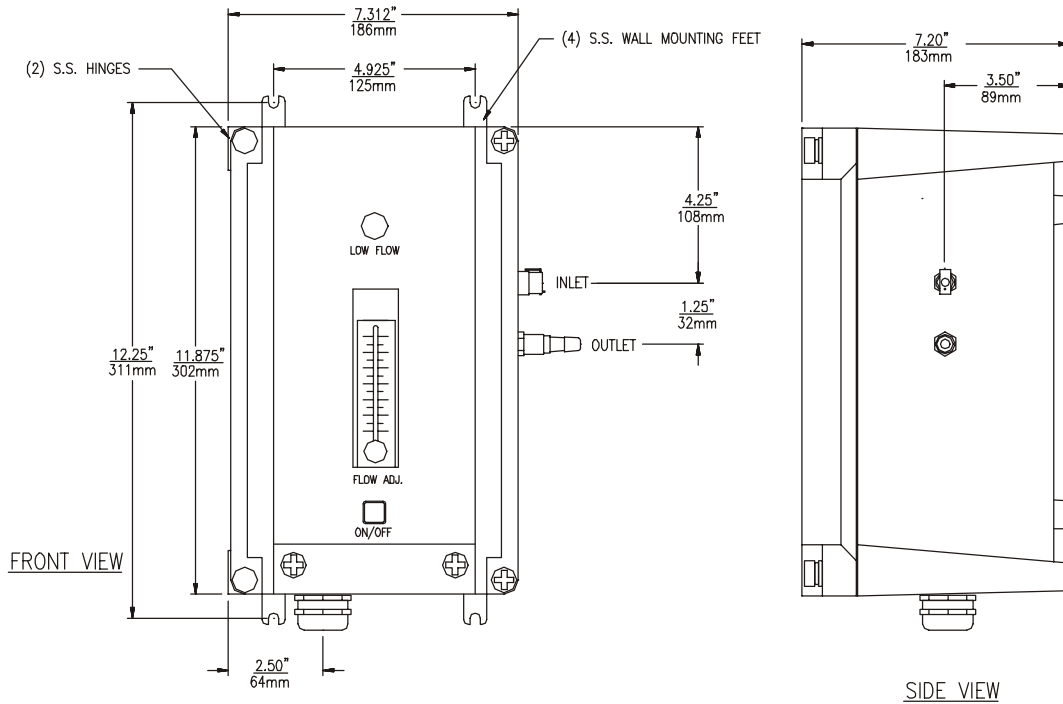


**GENERAL ARRANGEMENT DIAGRAM**



ATI-0229

**GENERAL ARRANGEMENT DIAGRAM**

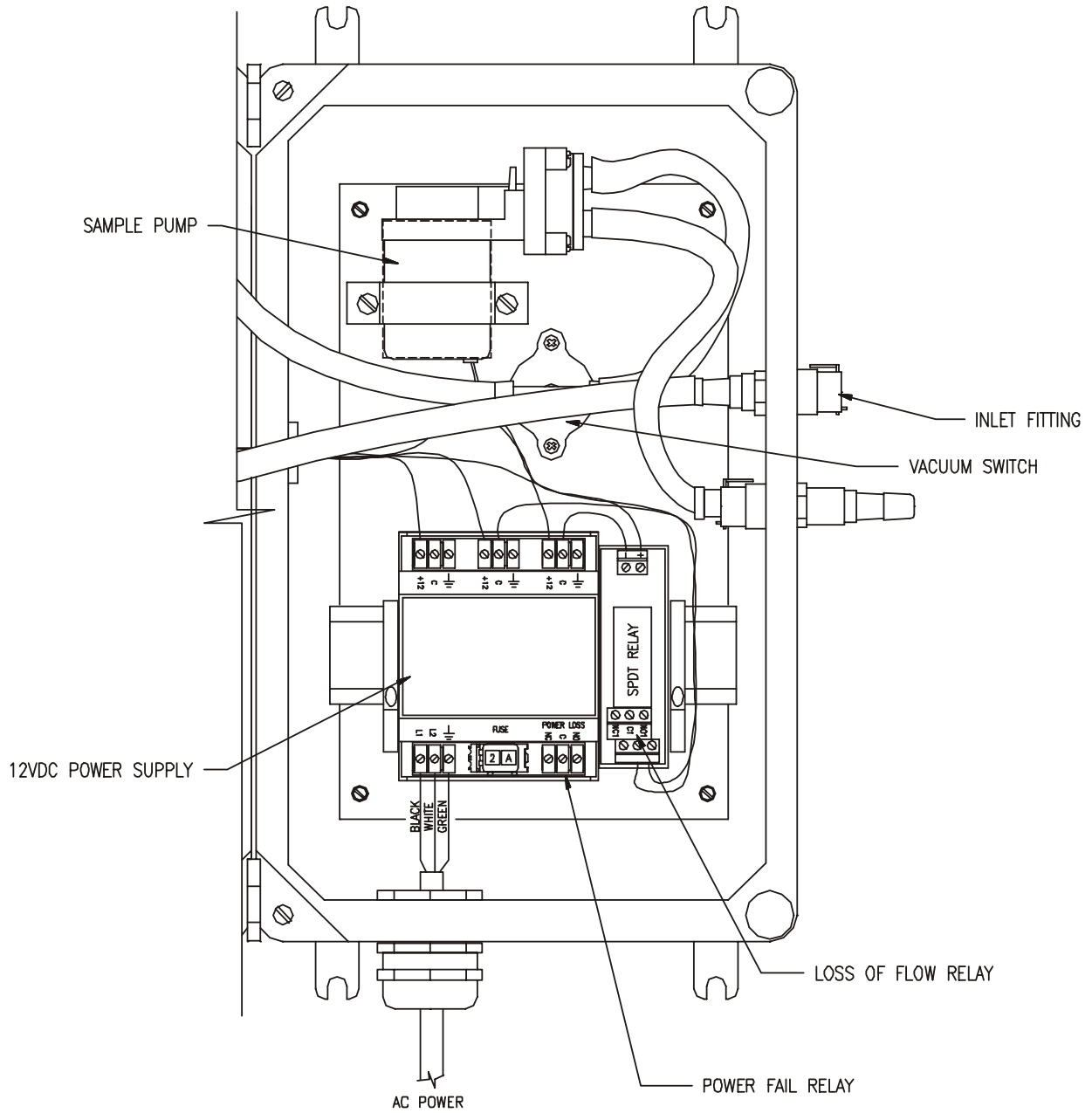


- Enclosure Matl:
- Base - Molded FRP (Fiberglass Reinforced Polyester)  
Gray in color.
  - Cover - Clear Polycarbonate w/ Integral Hinge

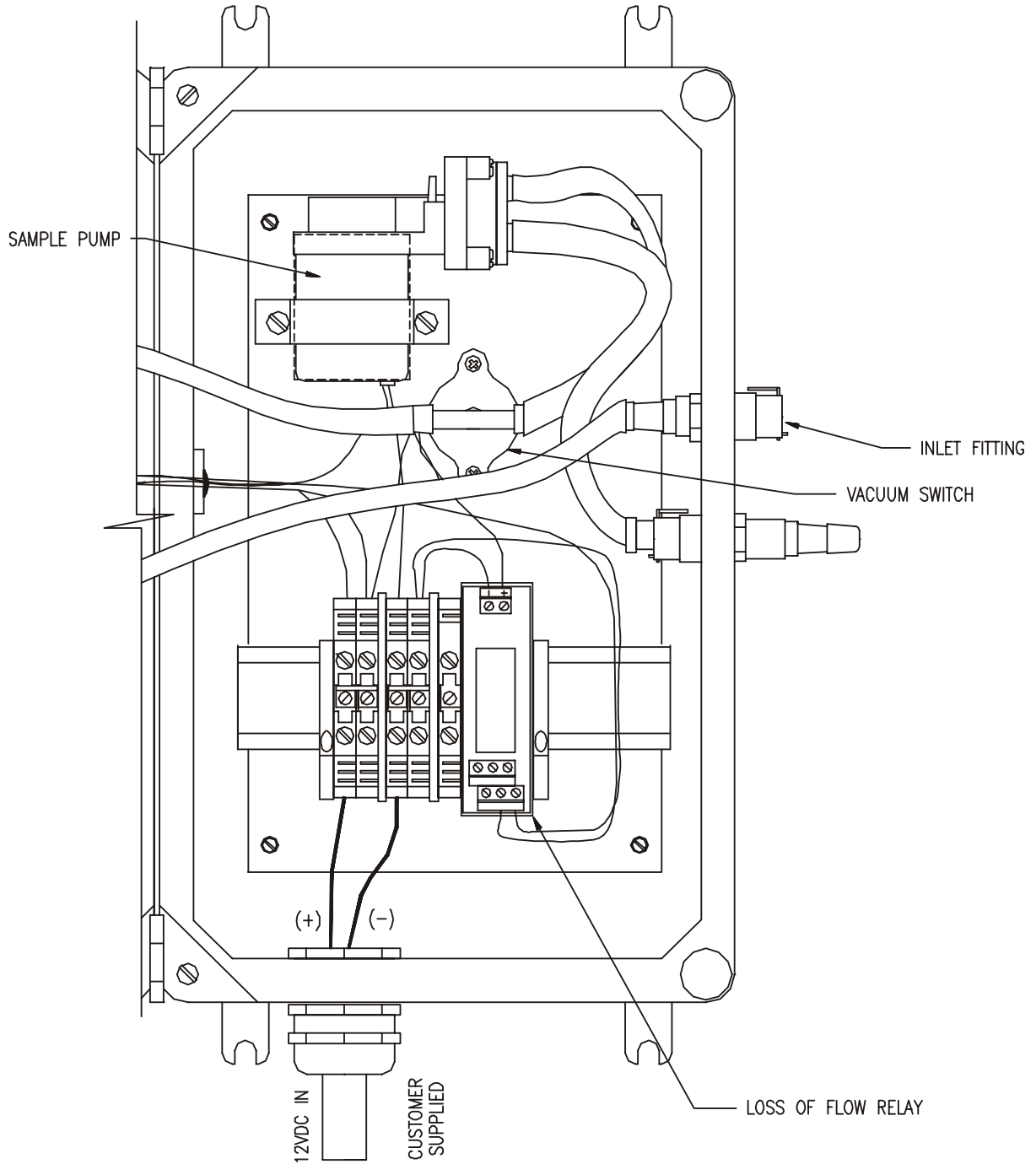
- Ratings:
- UL Listed per Std. 508
  - CSA certified per std. C22.2 No. 94
  - Nema rated types 4,4x,6,6P,12 and 13
  - CEMA rated types 2,3,4 and 5
  - IEC 529 rated IP 67-11

ATI-0228

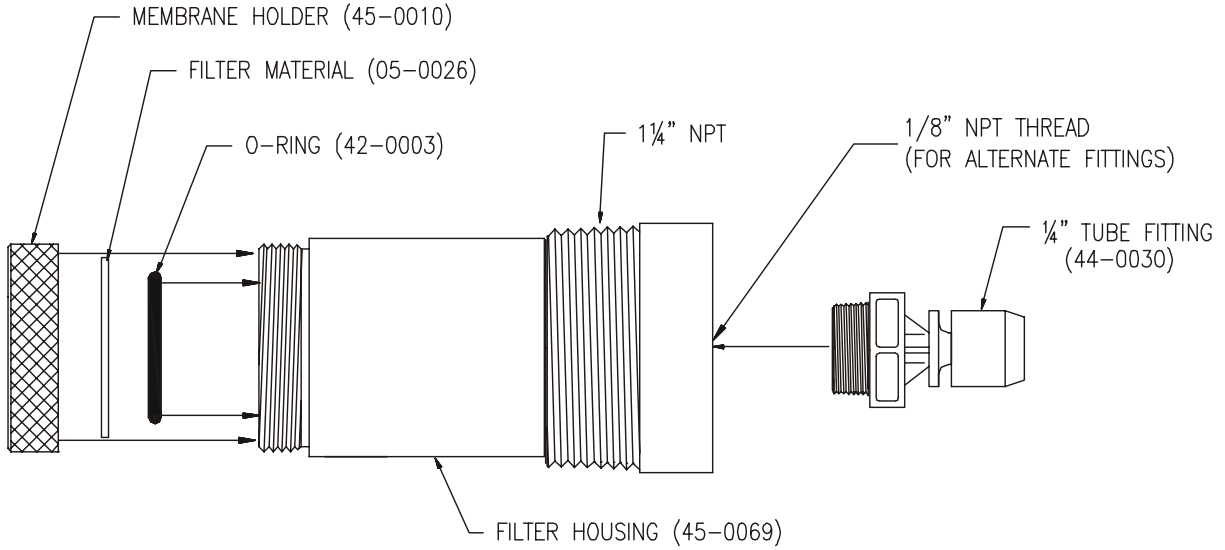
**SYSTEM WIRING - 120VAC**



**SYSTEM WIRING - 12VDC**

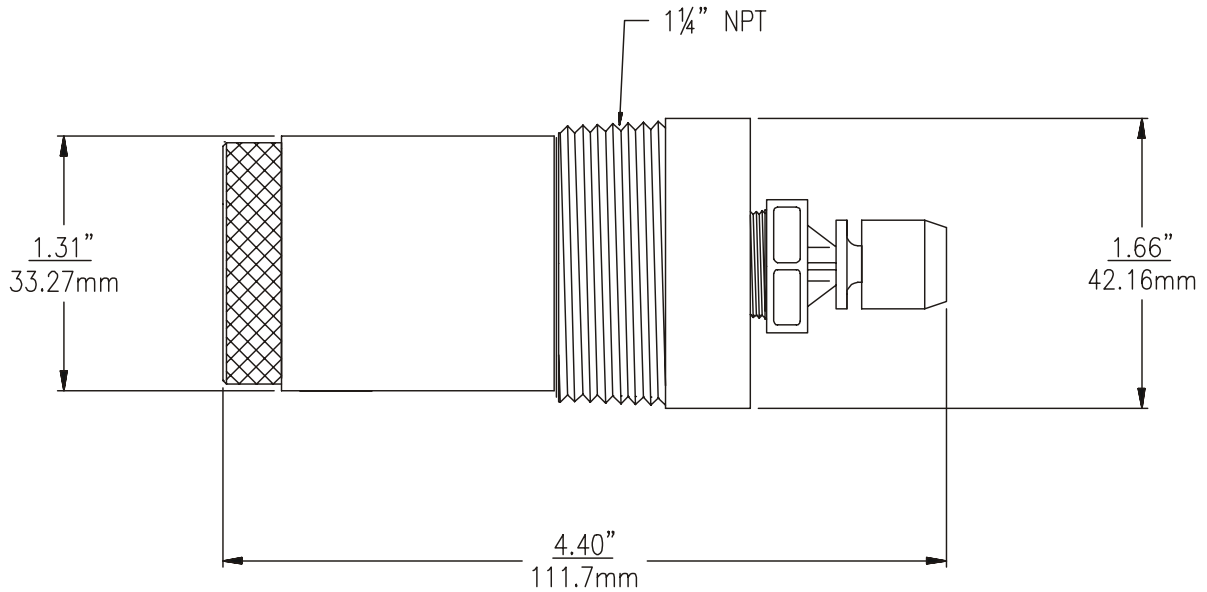


**FILTER HOUSING ARRANGEMENT DIAGRAM**



ATI-0231

**FILTER HOUSING DIMENSIONAL DIAGRAM**



ATI-0499